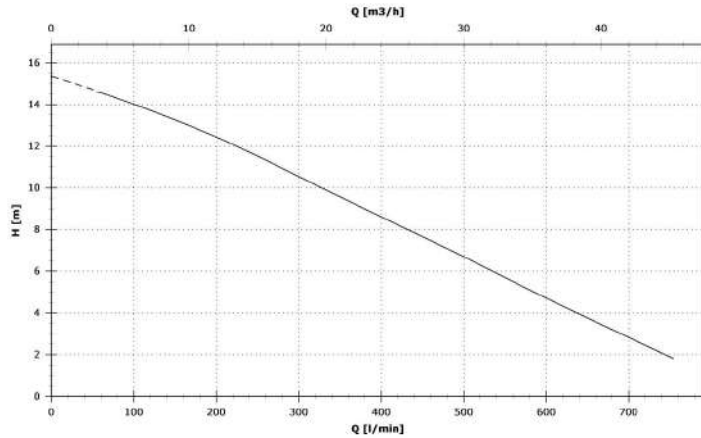


DG BluePRO 200/2/G50V A1CM/50



Set-back Vortex impeller
 Rated power output (P2) 1.5 kW
 Free passage 50 mm

Technical data

Number of poles	2
Rated power output (P2)	1.5 kW
Input power (P1)	2.2 kW
Nominal absorbed current (In)	10 A
rated power factor (cos phi)	0.98
Nominal power frequency (f)	50 Hz
Rated nominal voltage(Vn)	230 V
N° phases	1
IPMotor	68
ATEX thermal class	not applicable
insulation class	F

Constructive characteristics

Outlet	G2"
Outlet orientation	V (vertical)
Type of starting	D
Weight	24 kg
Standard cable type	H07RN-F 3G1
EX cable type	N.A.
Standard paint type	Bicomponent epoxy paint
Maximum acoustic pressure	70 dB
Set of standard mechanical seals	One Silicon carbide mechanical seal (SiC) and One Carbon-Aluminium oxide mechanical seal (AL)
Probe for water presence	

Use limits

Maximum operating temperature	40 °C
Maximum immersion depth	20 m
PH of treated fluid	6 to 14 pH
max starts per hour	30

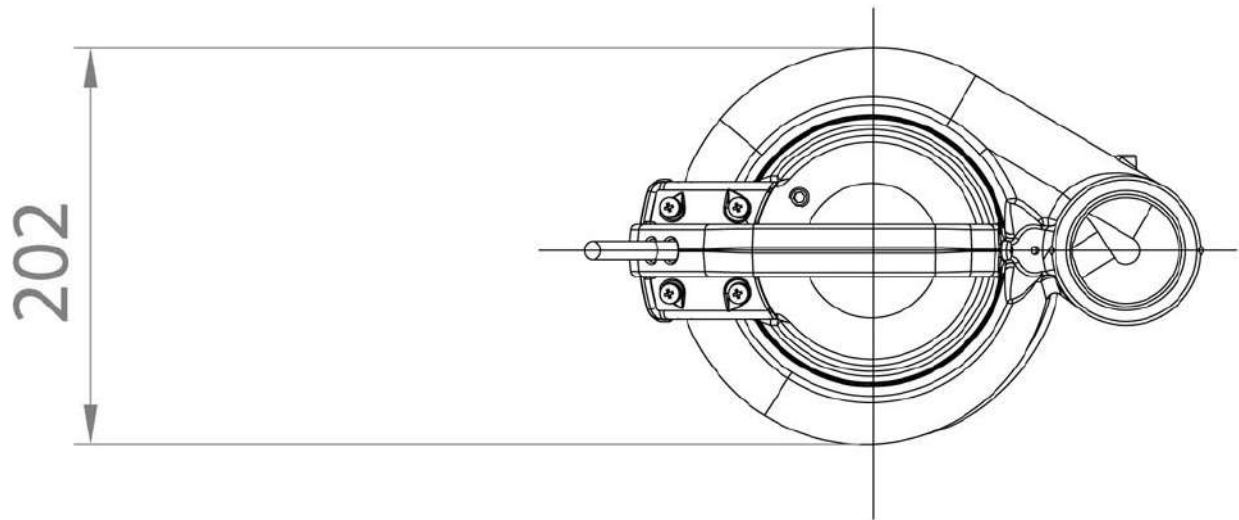
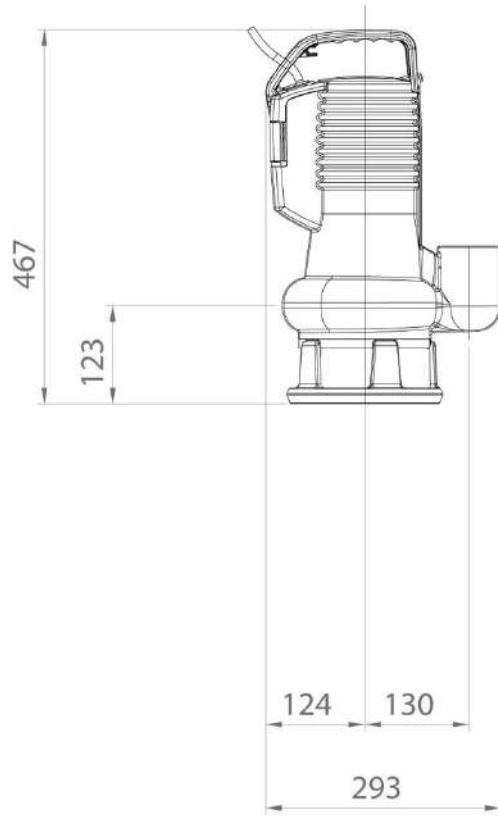
Materials

Case	Grey Cast Iron - EN-GJL 250 (02)
Shaft	Stainless Steel - AISI 420 (23)
Cooling jacket	Not applicable (00)
Standard gasket	Rubber - NBR (77)
EX gasket	Not applicable (00)
Nuts and bolts	Stainless Steel - Class A2-70 (42)
Hydraulic	Grey Cast Iron - EN-GJL 250 (02)
Impeller	Grey Cast Iron - EN-GJL 250 (02)
Cutting disk	Not applicable (00)
Cutter	Not applicable (00)
Grid	Not applicable (00)

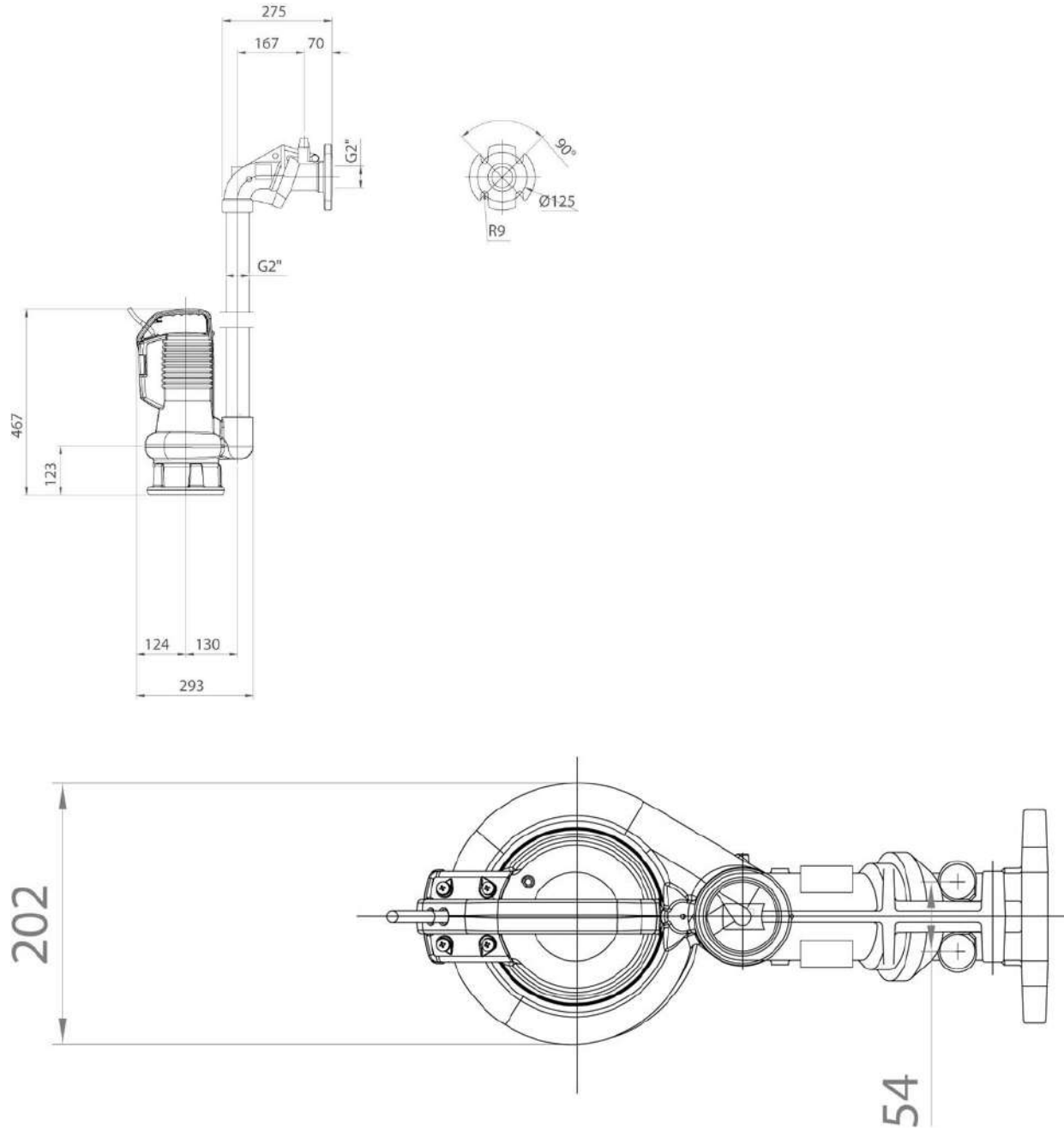
Test limits

Density of treated fluid	1 Kg/dm³
Viscosity of treated fluid	1 mm²/s

Pump



Bottom coupling devices with horizontal outlet



Bottom coupling devices with vertical outlet

